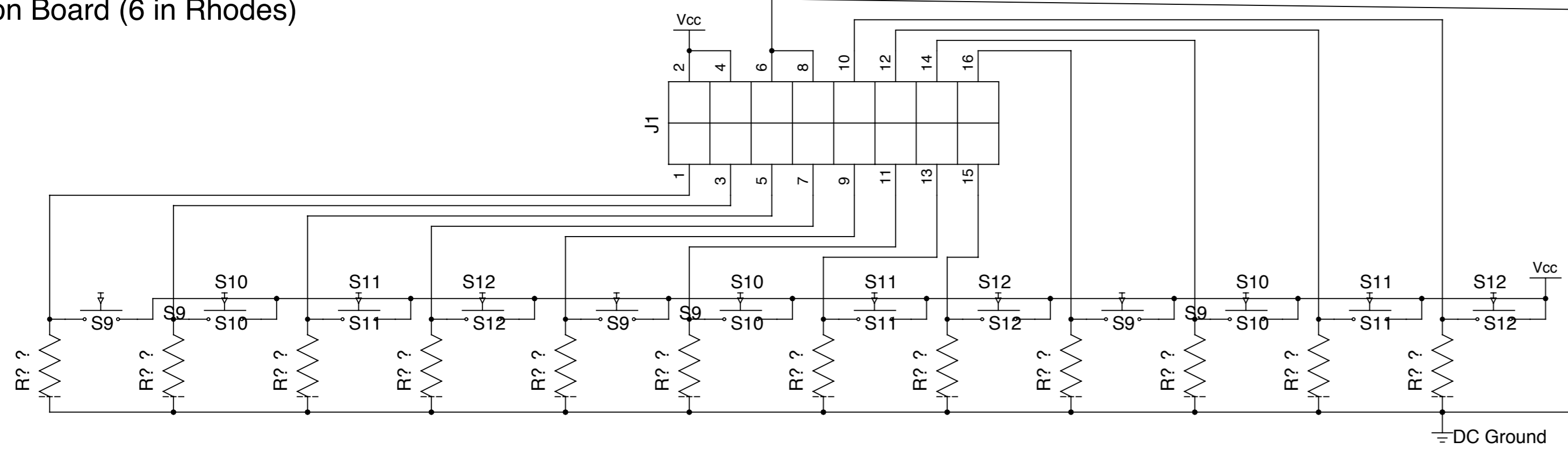
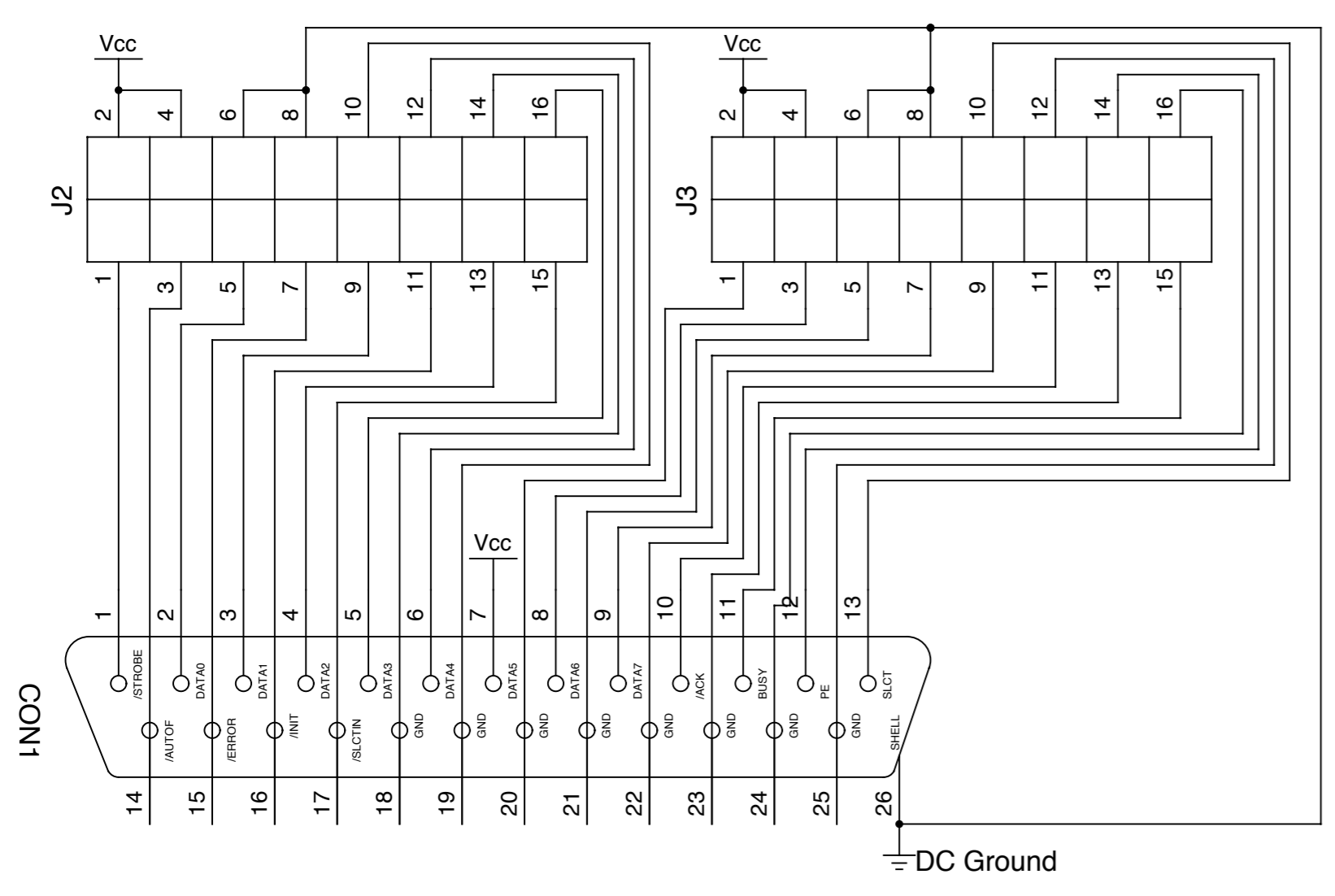


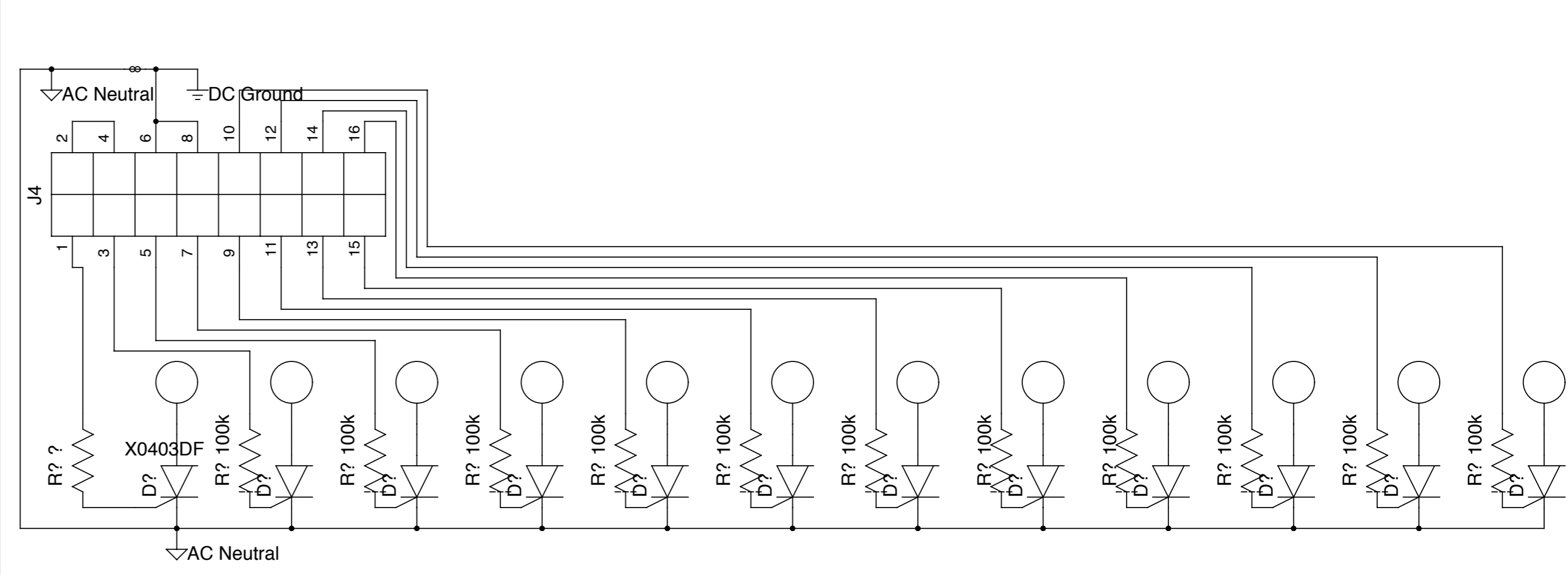
Button Board (6 in Rhodes)



Adaptor Board: header to DB-25 (3 in Rhodes, 1 per AC box)



SCR board (2 per AC box, 6 total)



AC Box Outlet wiring

